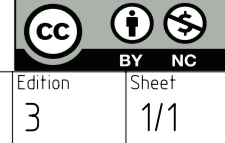


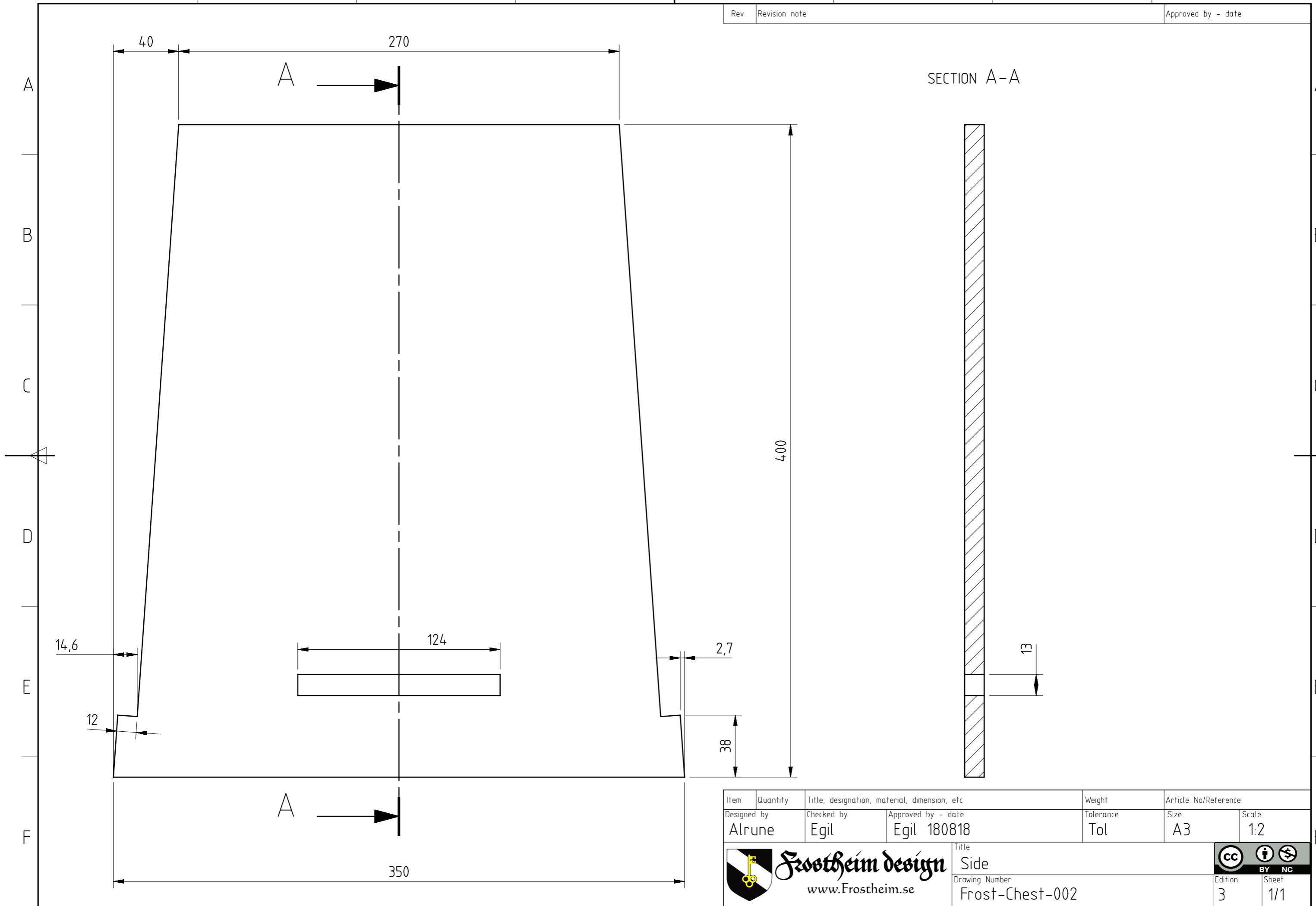
Rev	Revision note	Approved by - date
-----	---------------	--------------------


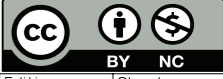
Item	Quantity	Title, designation, material, dimension, etc	Weight	Article No/Reference
Designed by	Checked by	Approved by - date	Tolerance	Size
Alrune	Egil	Egil 180818	Tol	A2
Title			Scale	
Frostheim Chest			1:5	
Drawing Number			Edition	Sheet
Frost-Chest-001			3	1/1



Frostheim design
www.Frostheim.se





Item	Quantity	Title, designation, material, dimension, etc		Weight	Article No/Reference	
Designed by	Checked by	Approved by - date		Tolerance	Size	Scale
Alrune	Egil	Egil 180818		Tol	A3	1:2
			Title			
			Side			
			Drawing Number		Edition	
			Frost-Chest-002		3	
					Sheet	
					1/1	

1

2

3

4

5

6

7

8

Rev	Revision note	Approved by - date

A

B

C

D

E

F

A

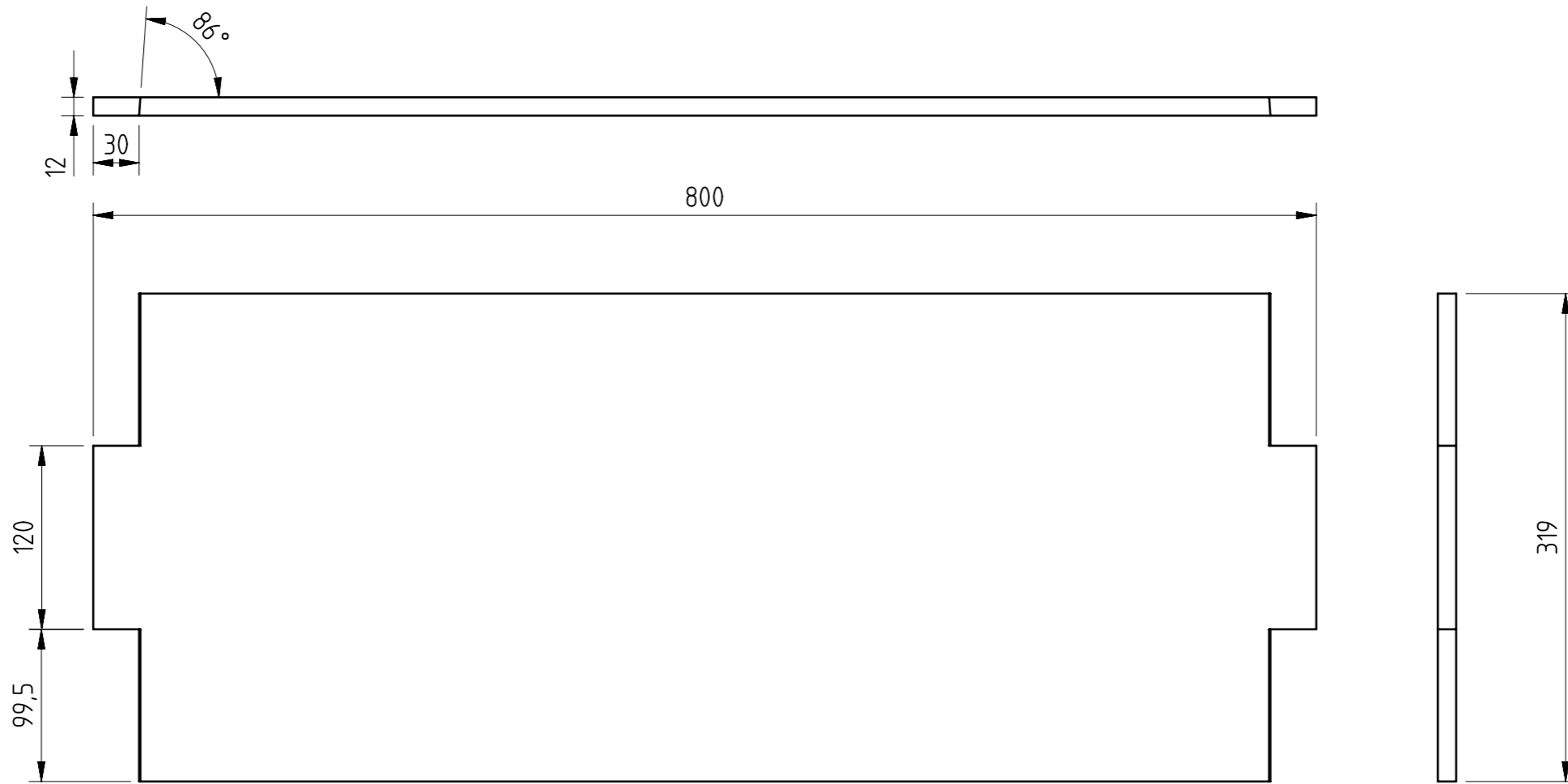
B


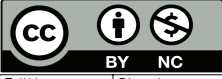
C

D

E

F



1	1	BOTTOM		
Item	Quantity	Title, designation, material, dimension, etc	Weight	Article No/Reference
Designed by	Checked by	Approved by - date	Tolerance	Size
Alrune	Egil	Egil 180818	Tol	A3
 Frostheim design www.Frostheim.se		Title Bottom Drawing Number Frost-Chest-0003		Scale 1:4
				Edition 3
				Sheet 1/1

1

2

3

6

7

8

1

2

3

4

5

6

7

8

Rev	Revision note	Approved by - date

A

B

C

D

E

F

A

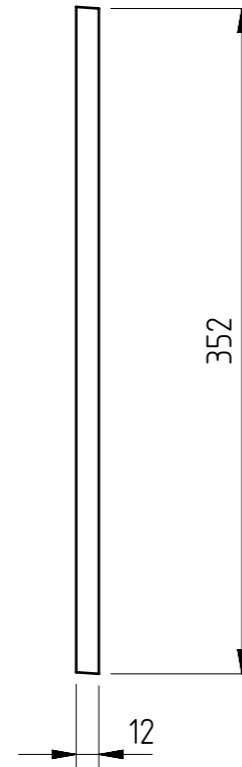
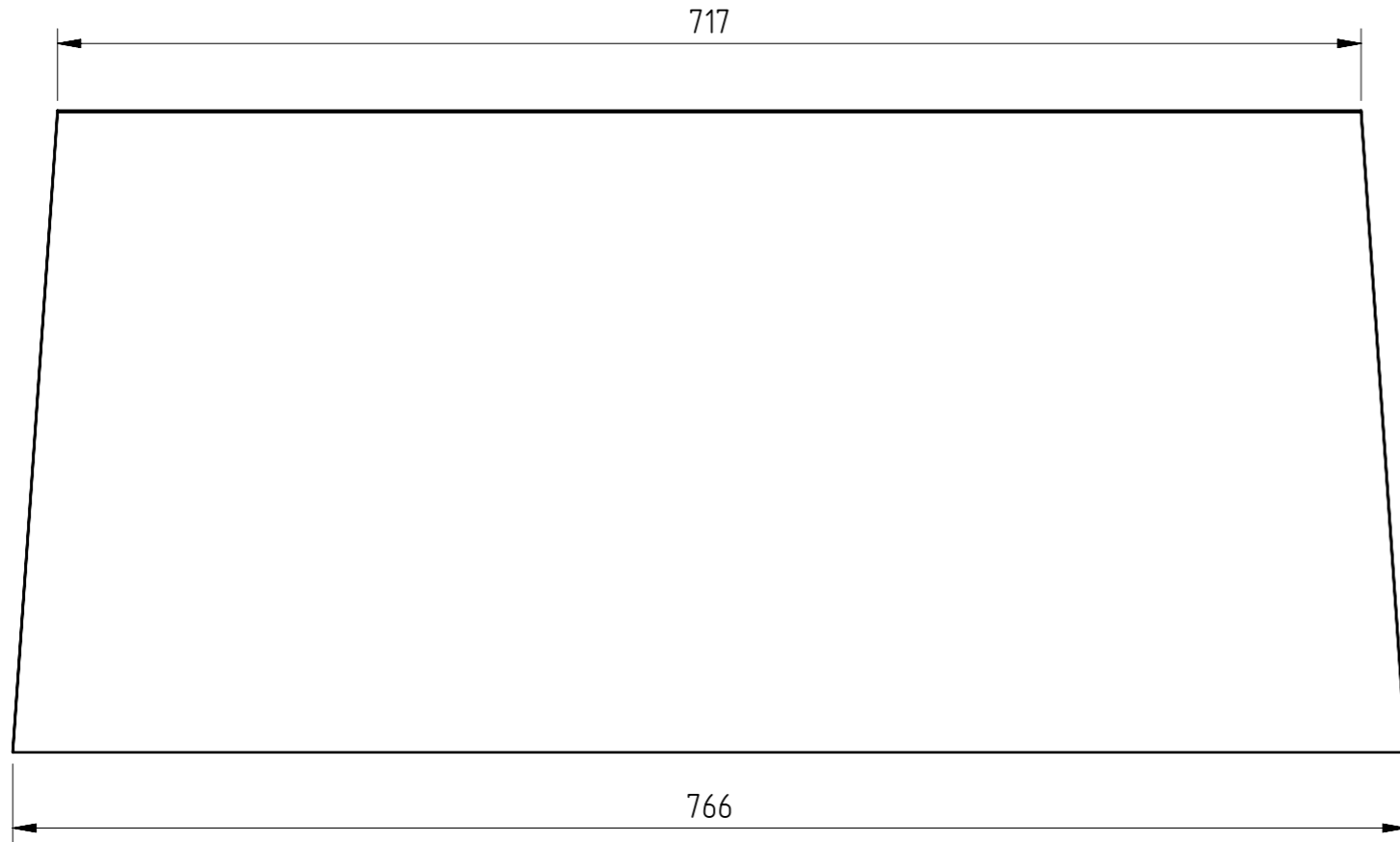
B

C

D

E

F



1	1	FRONT		
Item	Quantity	Title, designation, material, dimension, etc	Weight	Article No/Reference
Designed by	Checked by	Approved by - date	Tolerance	Size
Alrune	Egil	Egil 180818	Tol	A3
		Title	Scale	
		Front	1:4	
		Drawing Number	Edition	
		Frost-Chest-004	3	
				Sheet
				1/1



Frostheim design
www.Frostheim.se



1

2

3

6

7

8

1 2 3 4 5 6 7 8

Rev	Revision note	Approved by - date

A

B

C

D

E

F

A

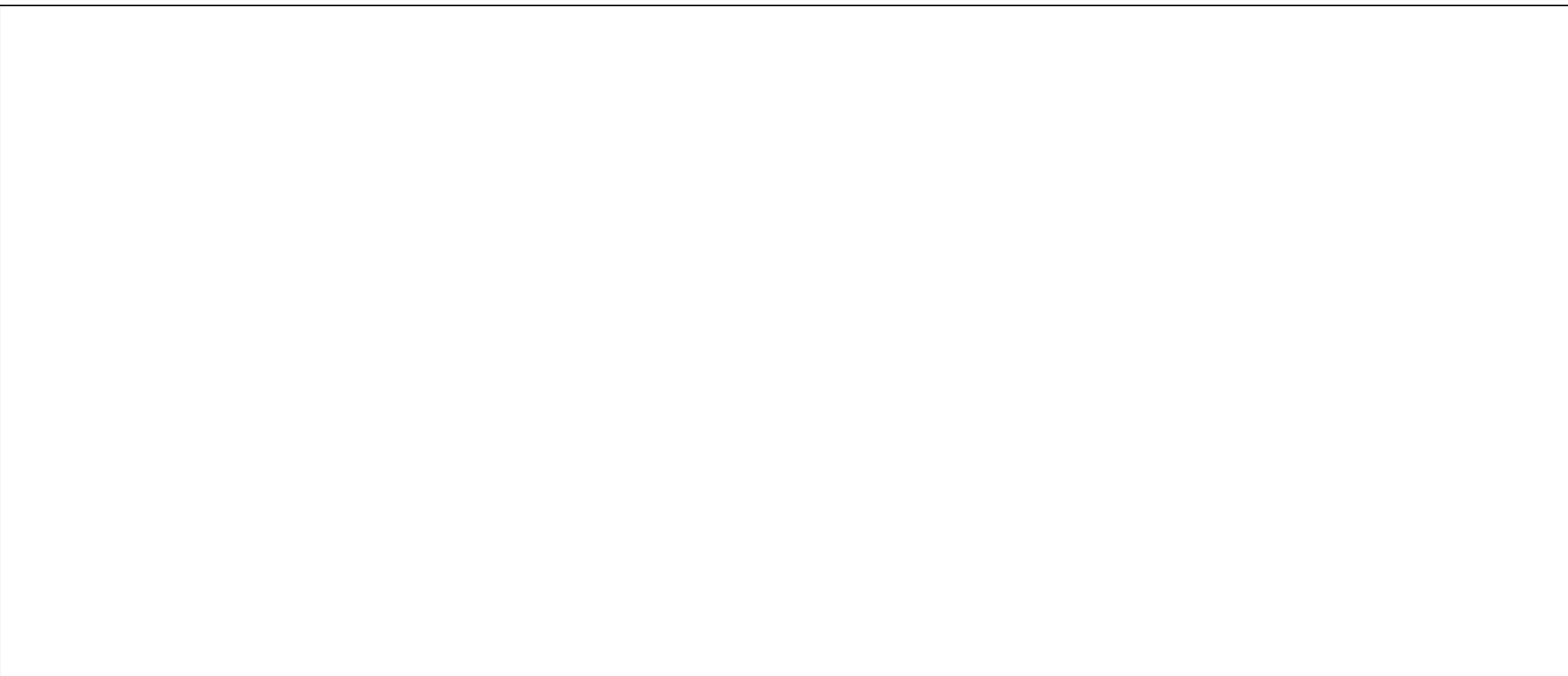
B

C

D


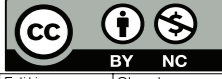
E

F



691

295

1	1	LID_SHEET		
Item	Quantity	Title, designation, material, dimension, etc	Weight	Article No/Reference
Designed by	Checked by	Approved by - date	Tolerance	Size
Alrune	Egil	Egil 180818	Tol	A3
 Frostheim design www.Frostheim.se		Title		
		Drawing Number	Edition	Sheet
		Frost-Chest-005	3	1/1

1 2 3 4 5 6 7 8

1

2

3

4

5

6

7

8

Rev	Revision note	Approved by - date

A

A

B

B

C

C

D

D

E

E

F

F

319


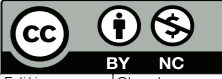
12

38

50

350

10

1	1	FEET_STIFFNER		
Item	Quantity	Title, designation, material, dimension, etc	Weight	Article No/Reference
Designed by	Checked by	Approved by - date	Tolerance	Size
Alrune	Egil	Egil 180818	Tol	A3
 Frostheim design www.Frostheim.se		Title Feet stiffner		
Drawing Number Frost-Chest-006		Edition 3	Scale 1:1 Sheet 1/1	

1

2

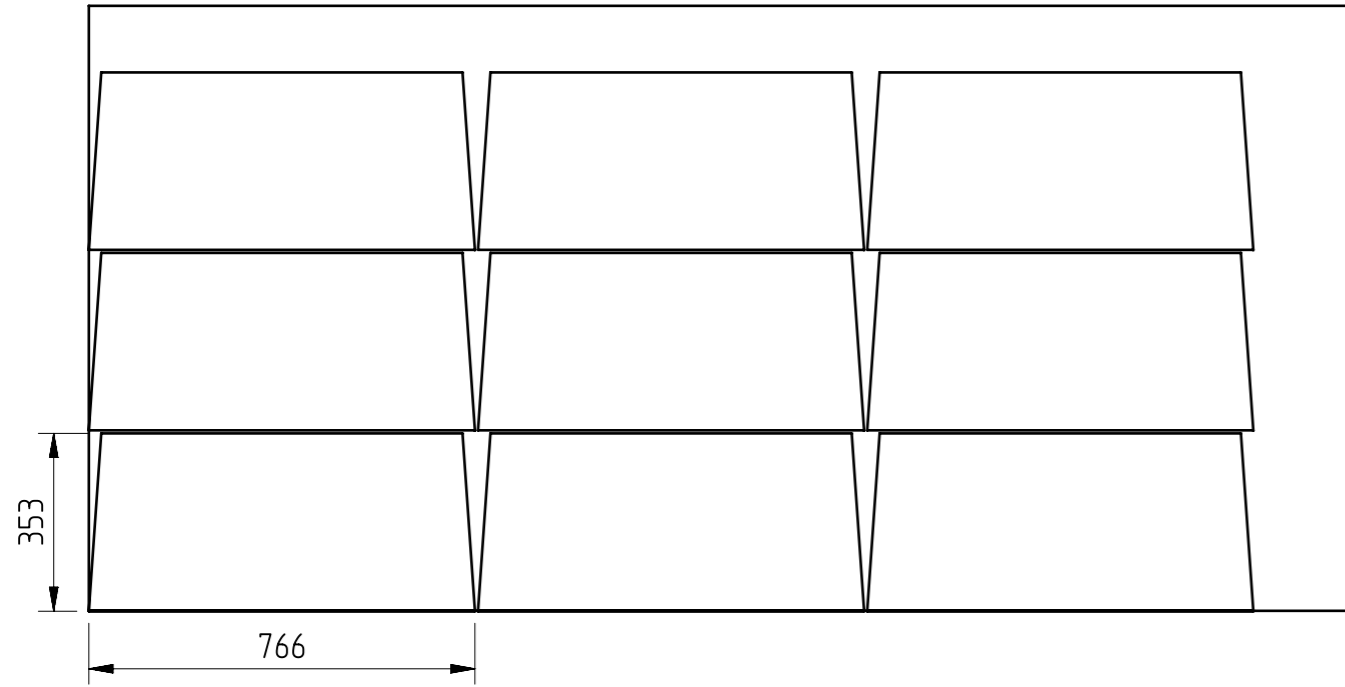
3

6

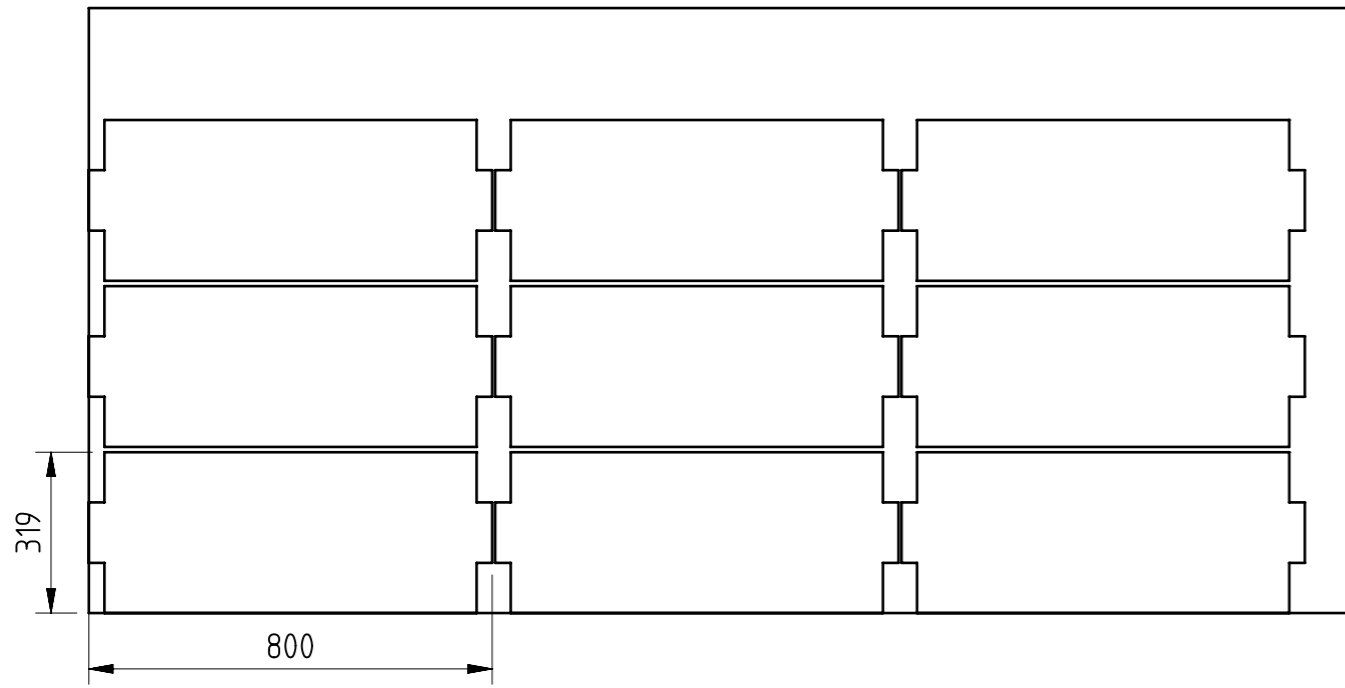
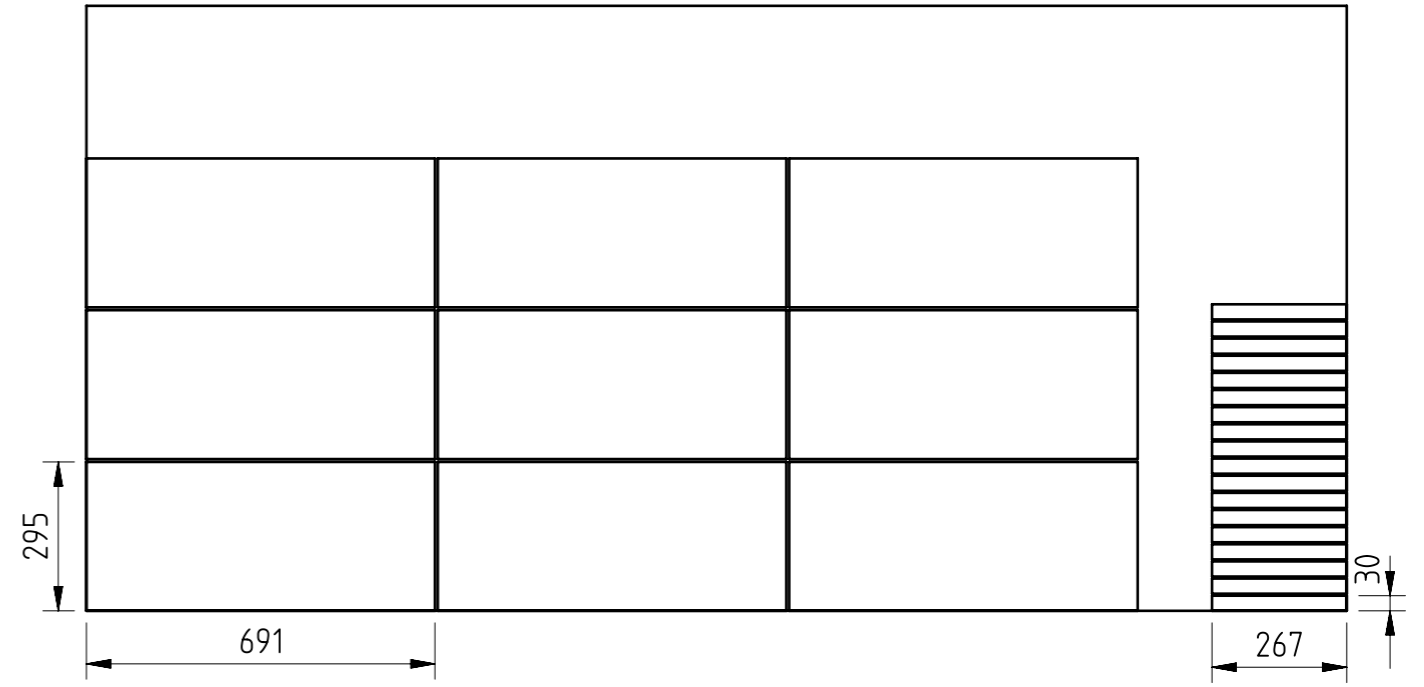
7

8

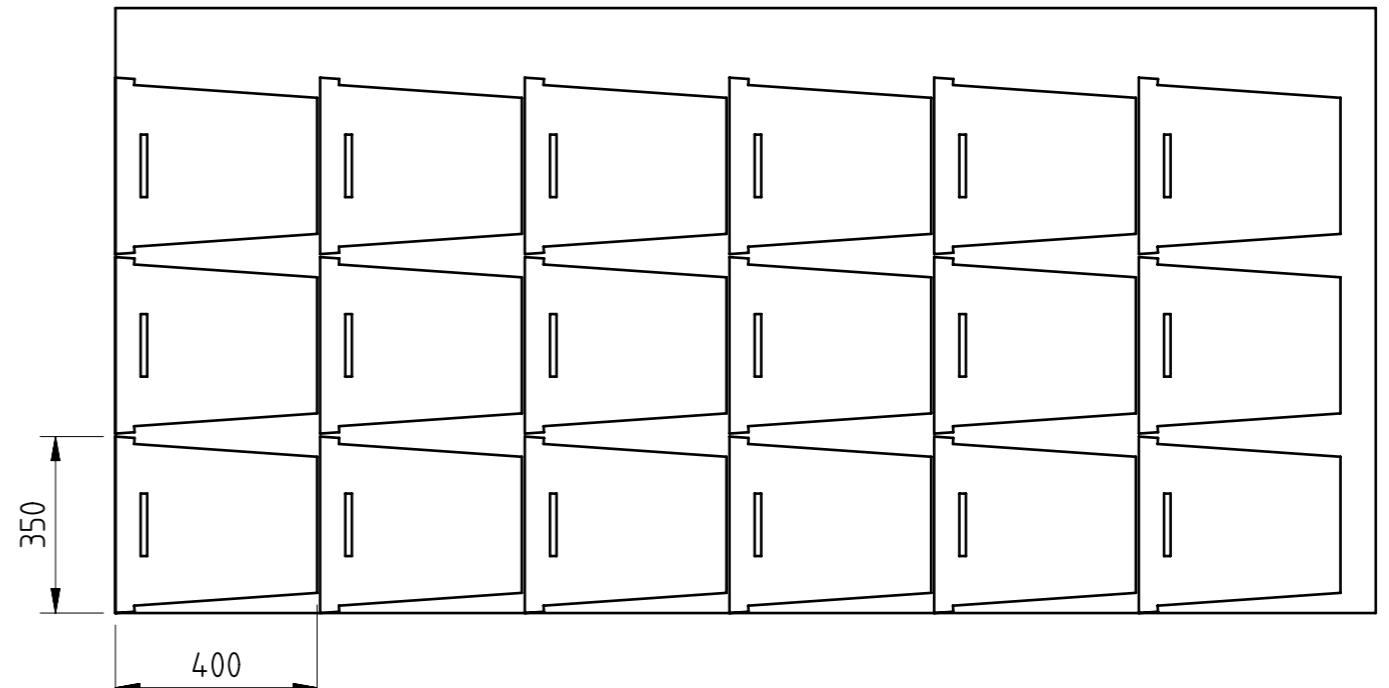
Side 18x766x353




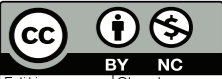
Lid 9x691x295 + Lid stiffner 18x267x30



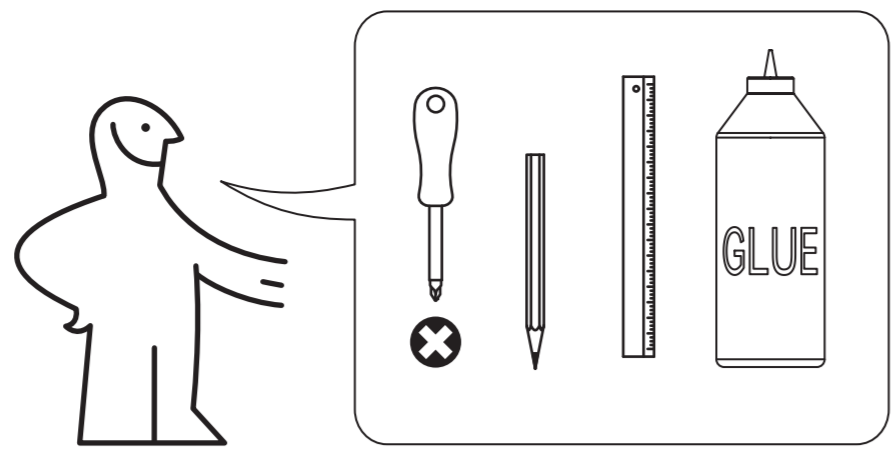
Bottom 9x800x319



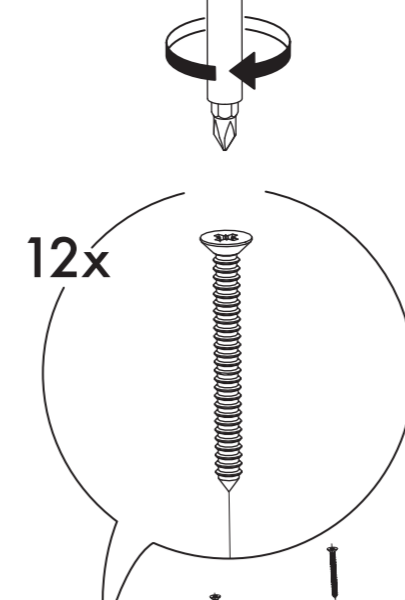
Side 18x400x350

Item	Quantity	Title, designation, material, dimension, etc	Weight	Article No/Reference	
Designed by	Checked by	Approved by - date	Tolerance	Size	Scale
Alrune	Egil	Egil 180821	Tol	A3	1:15
 Title Cutting template			 Edition 2		
www.Frostheim.se Drawing Number Frost-Chest-Manuf-001			Sheet 1/1		

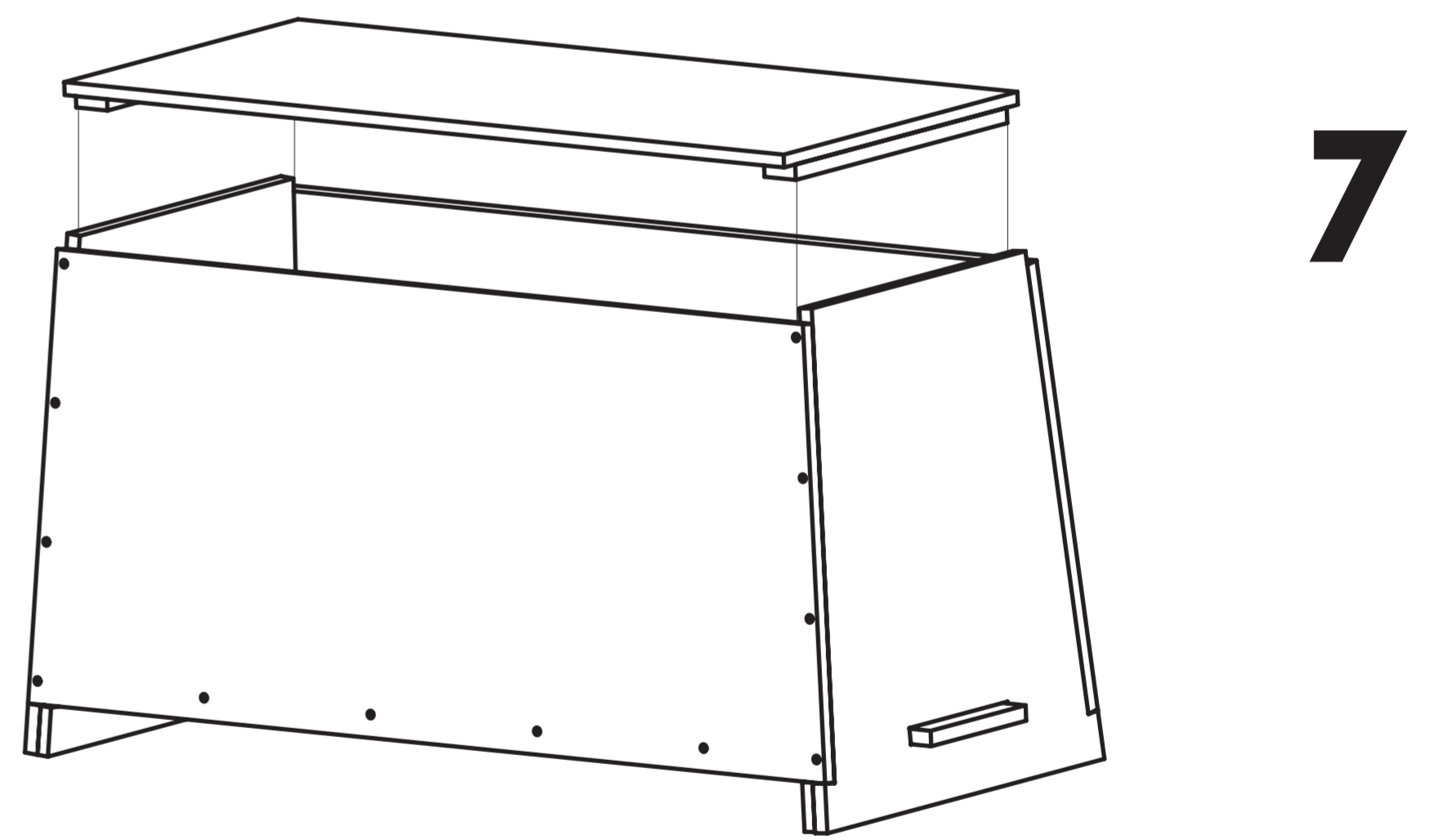
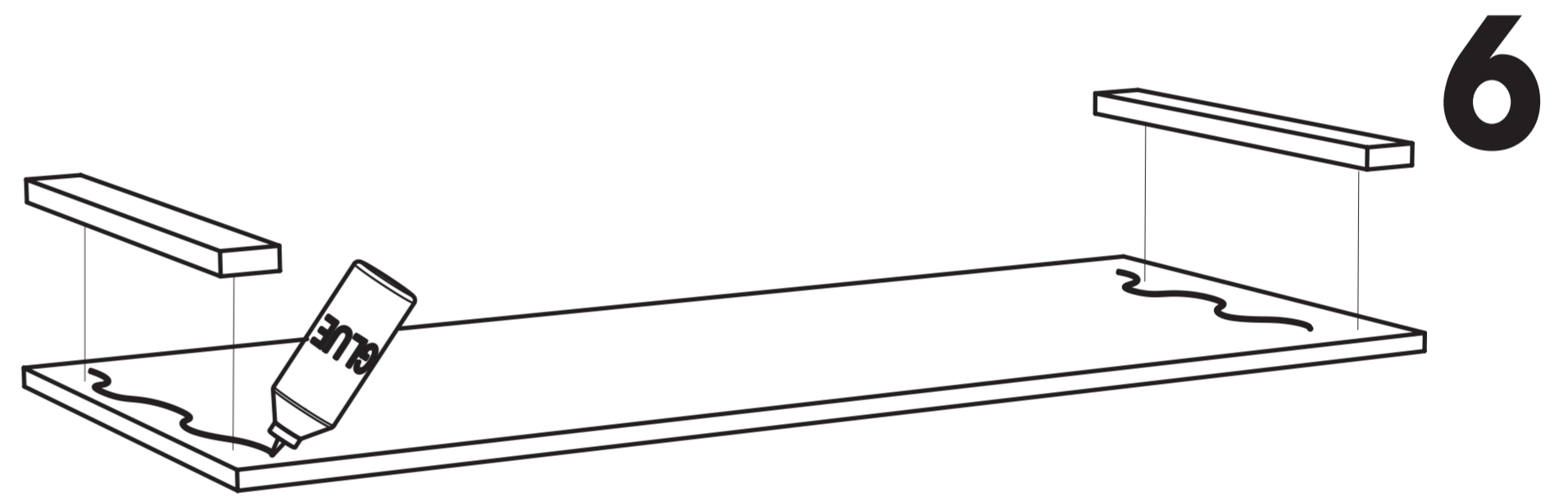
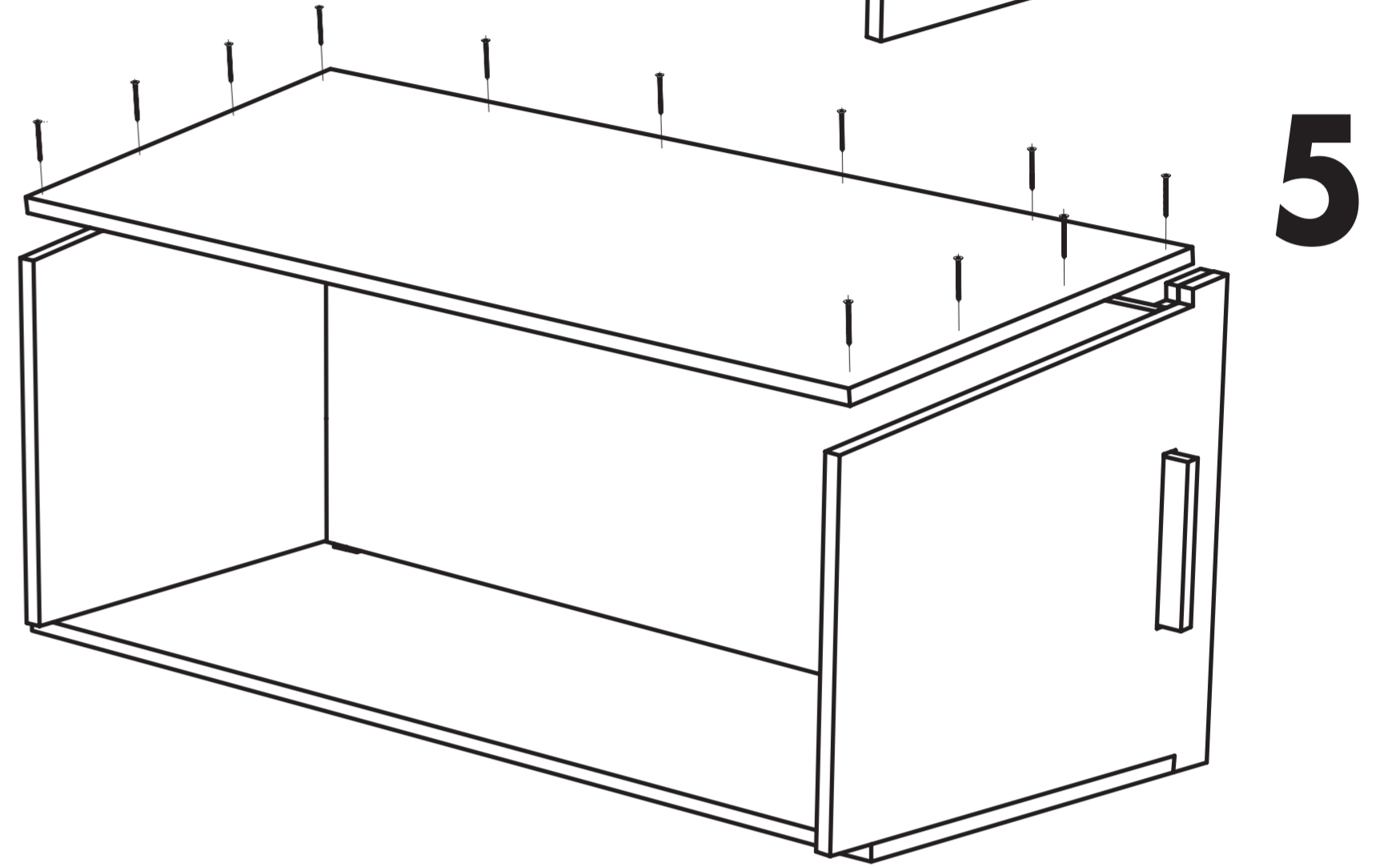
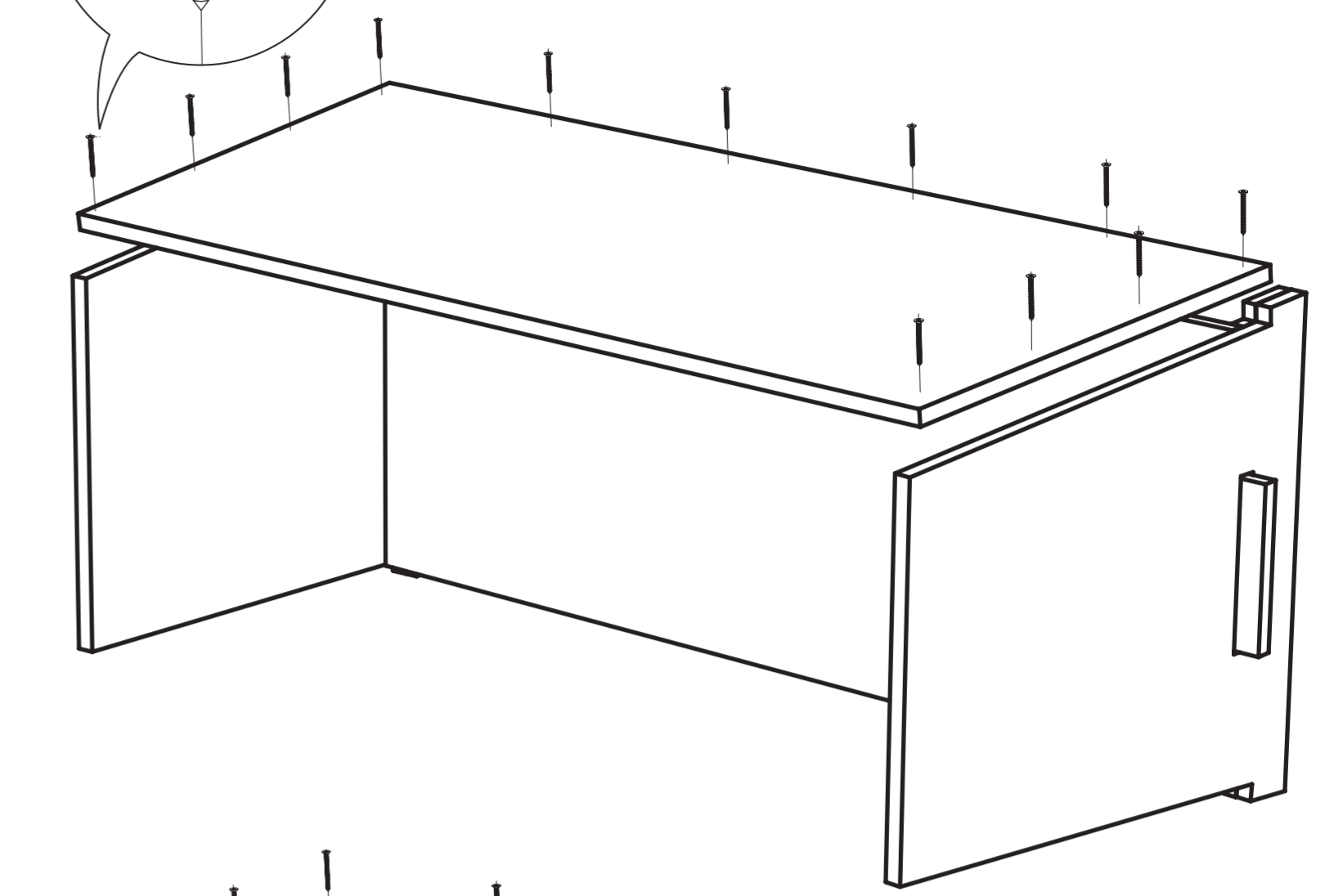
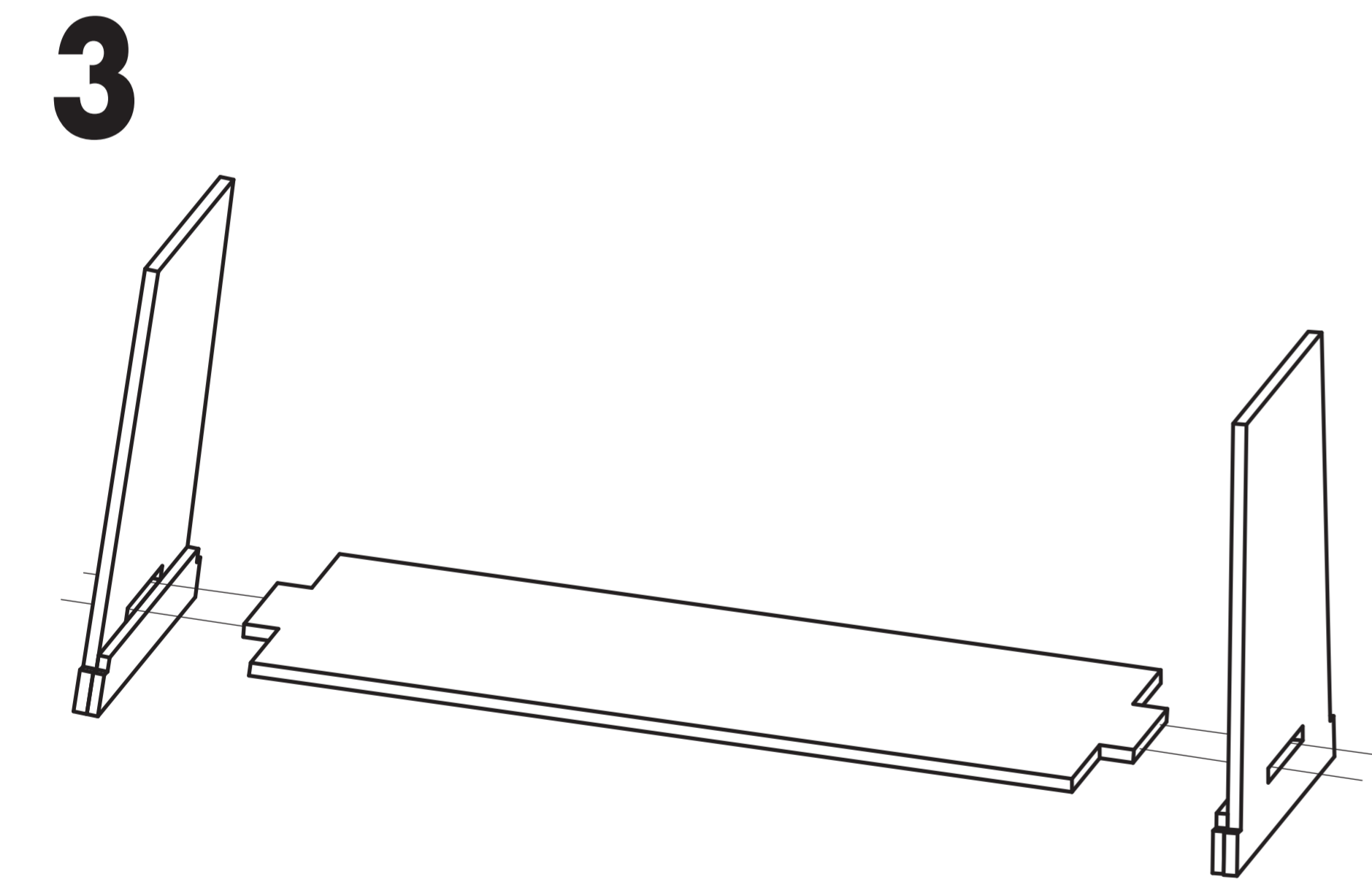
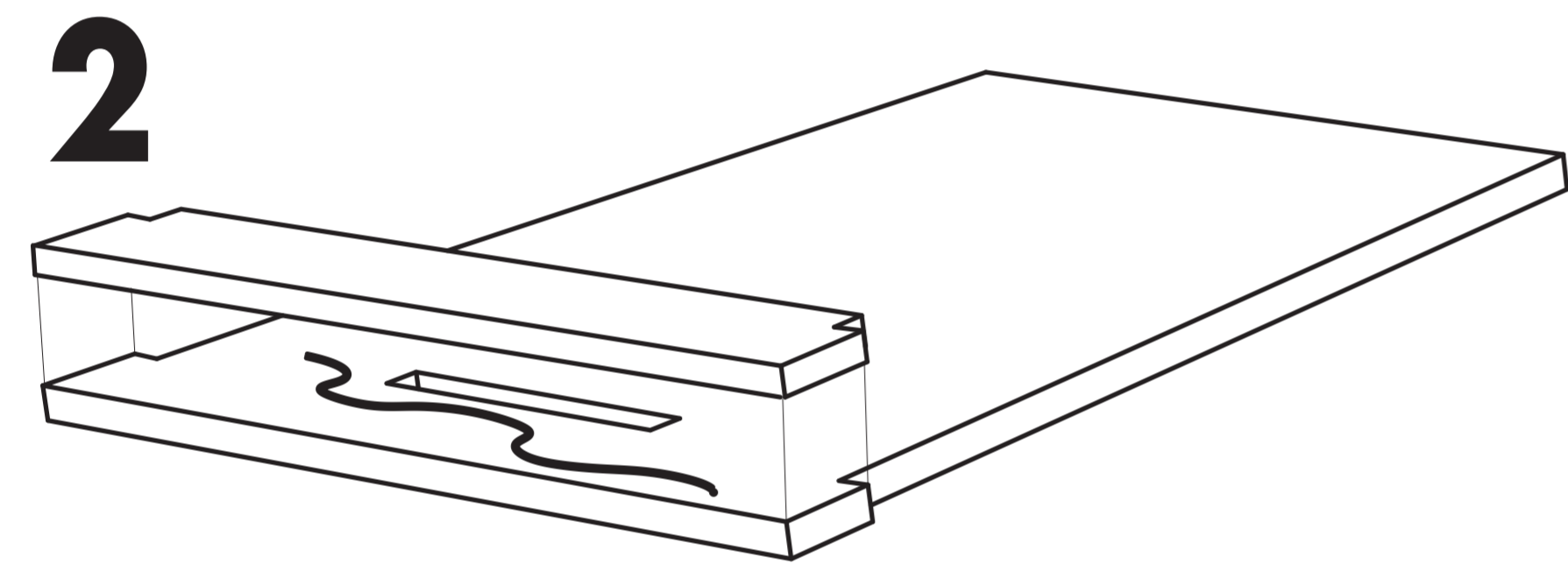
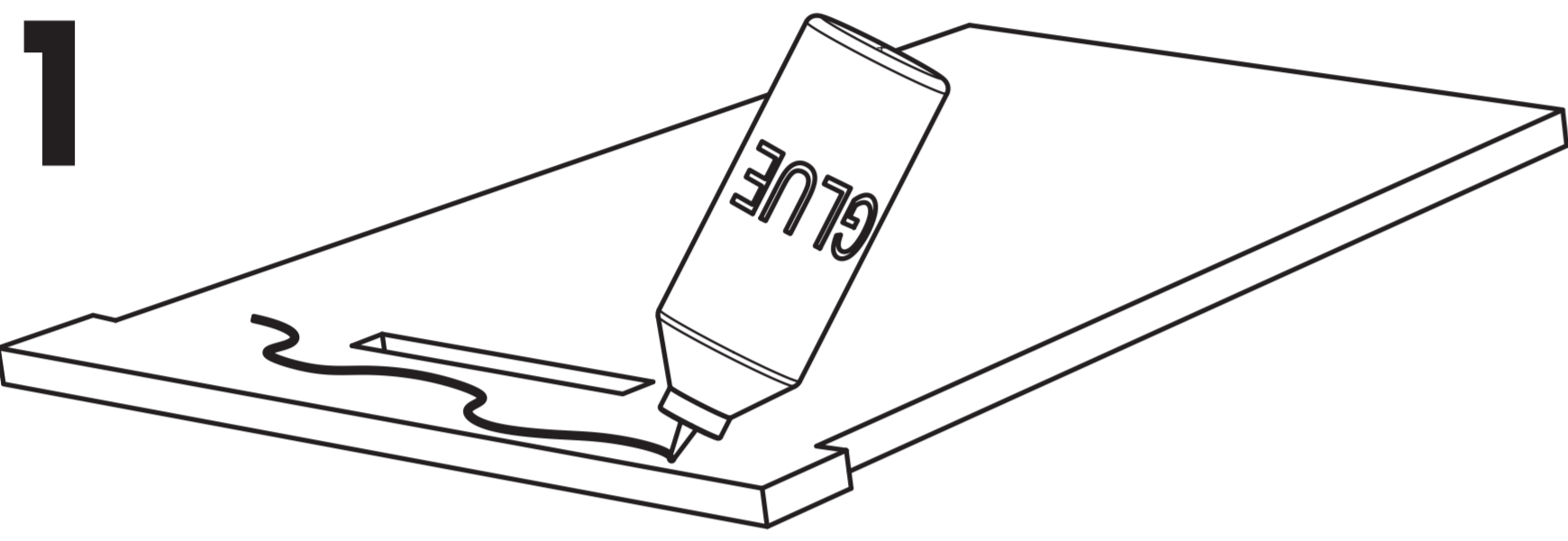
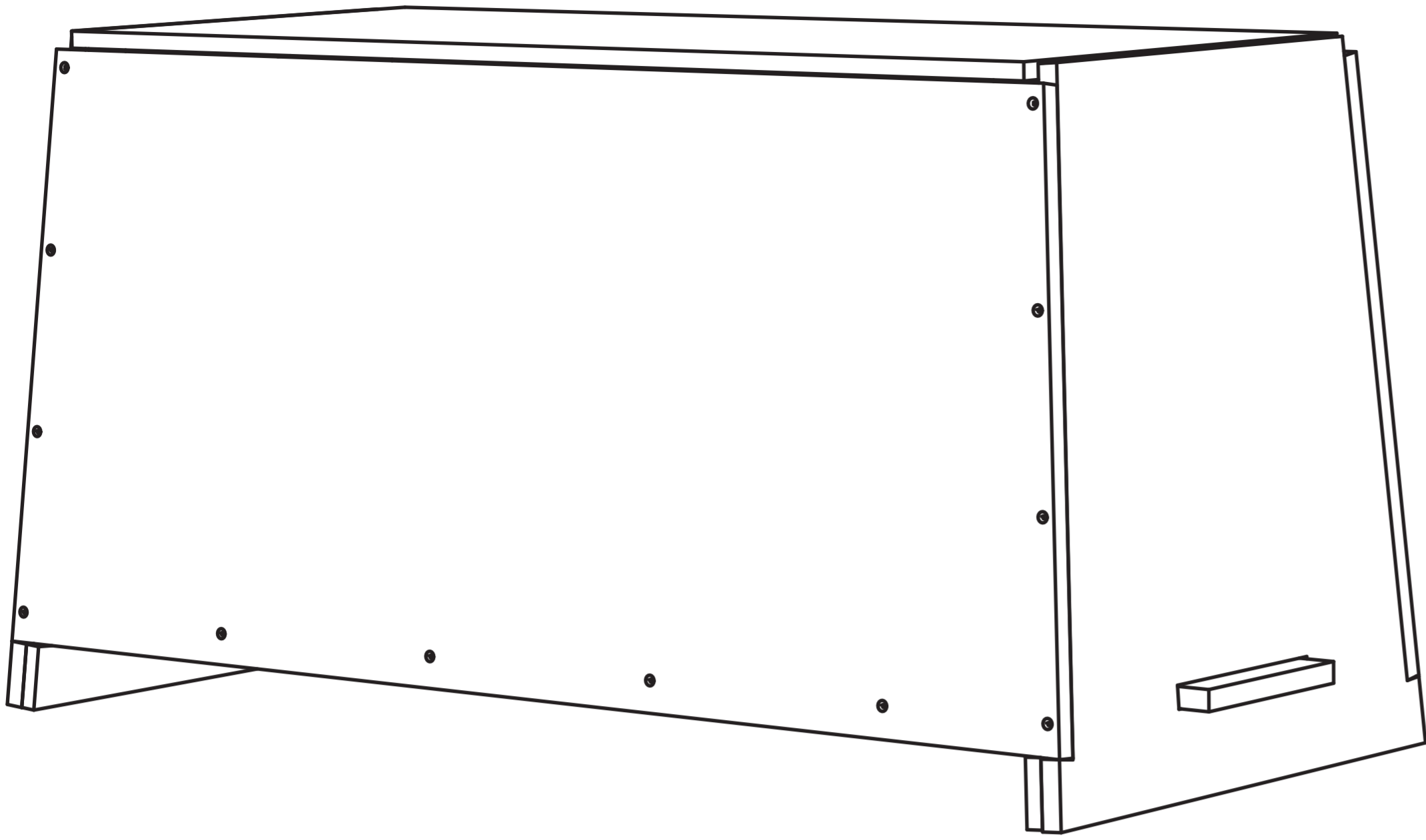
EGIL



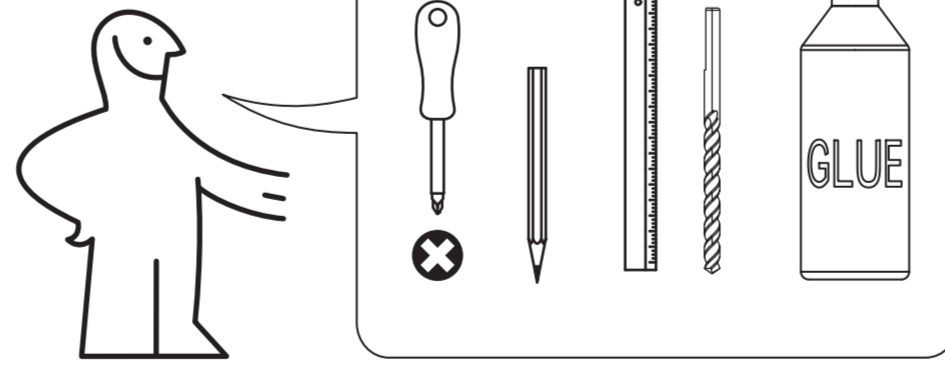
24x



4



SVARTULVR



24x 24x

